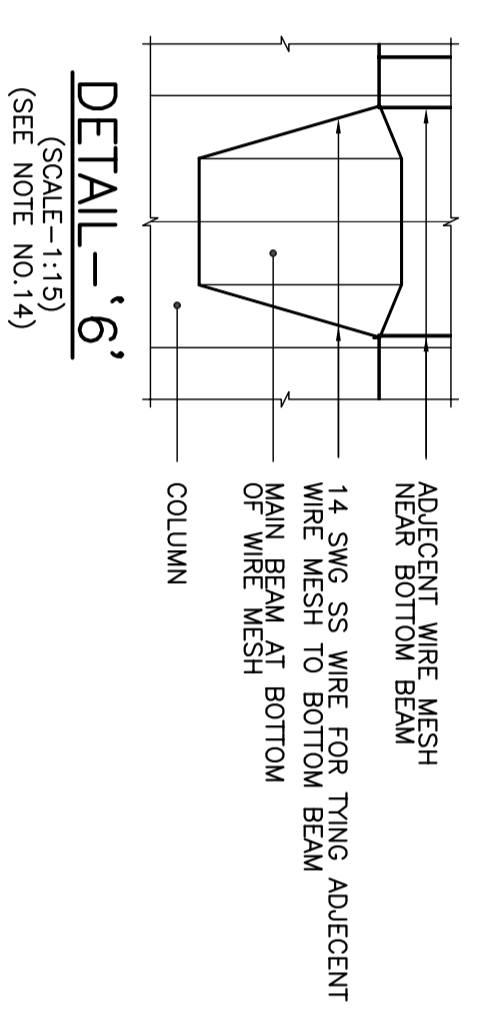
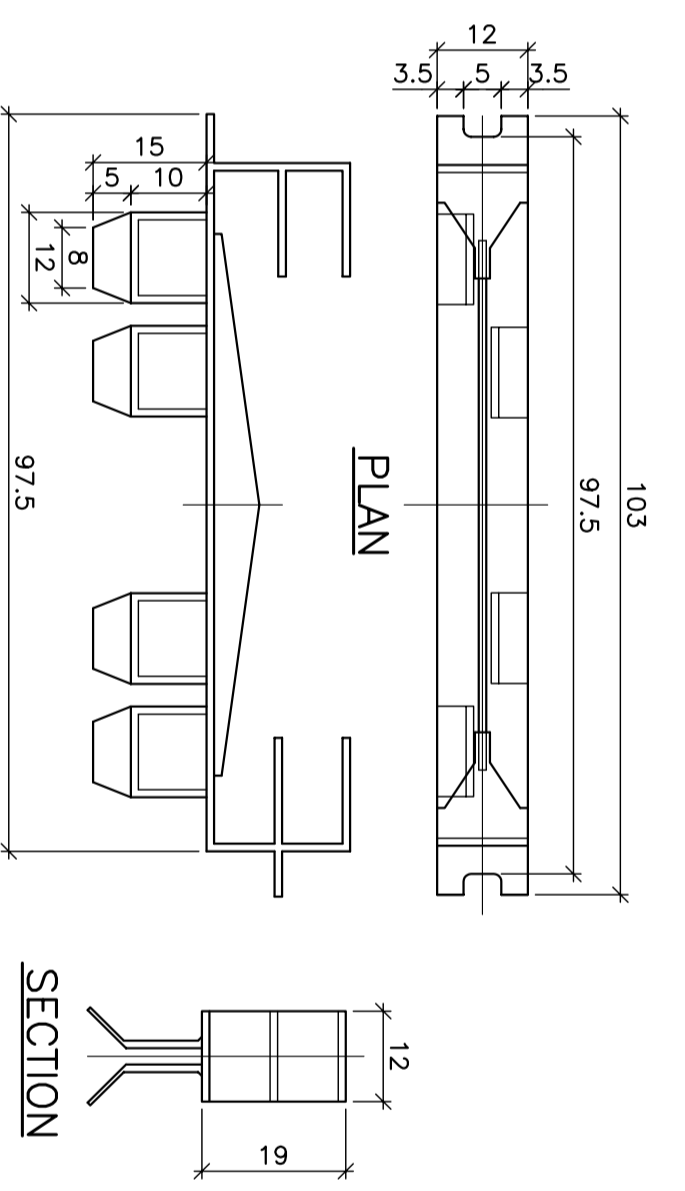


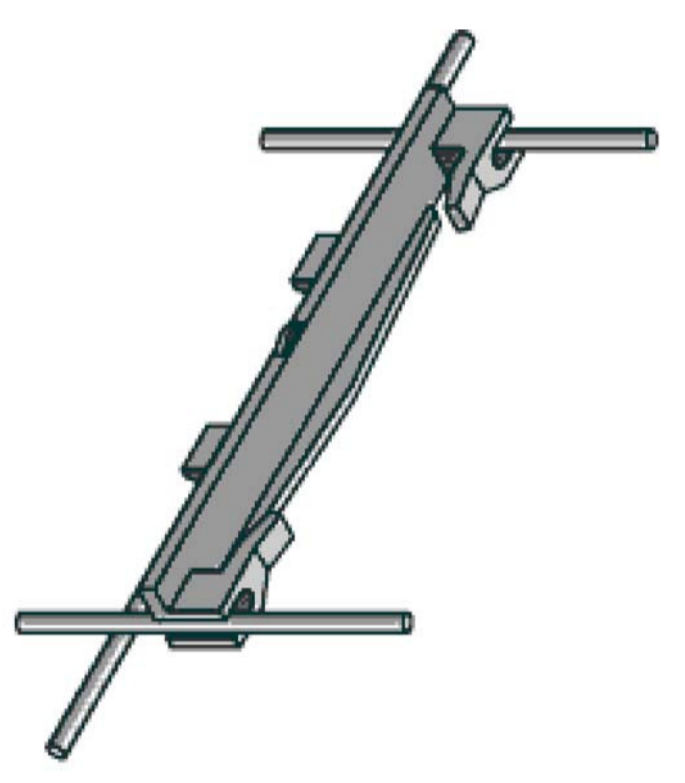
DETAIL - '2'  
TYPICAL DETAILS OF TYING  
ADJACENT HANGERS  
(SCALE=1:1)



DETAIL - '6'  
(SCALE=1:1)  
(SEE NOTE NO.14)



ELEVATION  
TYPICAL DETAILS OF PP CLIP  
(SCALE 1:1)



ISOMETRIC VIEW OF PP CLIP  
(SCALE 1:1)



ISOMETRIC VIEW OF FILL ASSEMBLY  
(SCALE 1:1)